

IENTE



Shenzhen Ente Materials Technology Co., Ltd
Dongguan Polycell Materials Technology Co., Ltd
POLYCELL Co., Ltd

3D Wallpaper

Eco-friendly, Anti-collision, Waterproof
Easy to Install, DIY Self-adhesive

COMPANY PROFILE

Shenzhen Ente Materials Technologies Co., Ltd is a high-tech company dedicated to design, research and develop new architectural decoration materials. The company's headquarter is located in Shenzhen, owns 3 technology joint R&D and design centers and product development centers in Shenzhen, Japan and South Korea, and 3 production bases in Shenzhen, Busan and Dongguan. Products are sold to Southeast Asia, Middle East, Europe and America and other developed countries as well as B&R (the Belt and Road) countries. Ente is committed to provide people with healthy, eco-friendly, creative and technological new space construction materials and solutions, with "MUCAI, IENTE, POLYCELL" and other brands.

Dongguan Polycell Materials Technology Co., Ltd is a China and South Korea joint venture, located on Dongguan city, Guangdong Province China, which covers 9000 square meters. We introduce advanced production equipment and management technology from Korea-Polycell, change the traditional production mode, make our products with best quality in the market. Our factory has 3 world-leading molding machines, 3 laminating machines, 3 glue machines, 25 cutting machines, 3 production lines, 6 senior R&D engineers and 8 intermediate R&D engineers, which guarantee the development plan of new products. The monthly production is 1,000,000 pieces and 200,000 square meters for 3d wallpaper coill. Supports OEM and ODM, mainly exported to Southeast Asia, Middle East, Europe and America.

Our 3D wallpaper is a wall DIY quick install product based on PE polymer material, which has passed SGS environmental protection testing and certification. Through continuous technical research and product design, Ente constantly enriches the technological and creative experience of people's working environment and living space.

Our mission is to produce the best quality 3D wallpaper worldwide, welcome to visit us!

CERTIFICATE



FACTORY



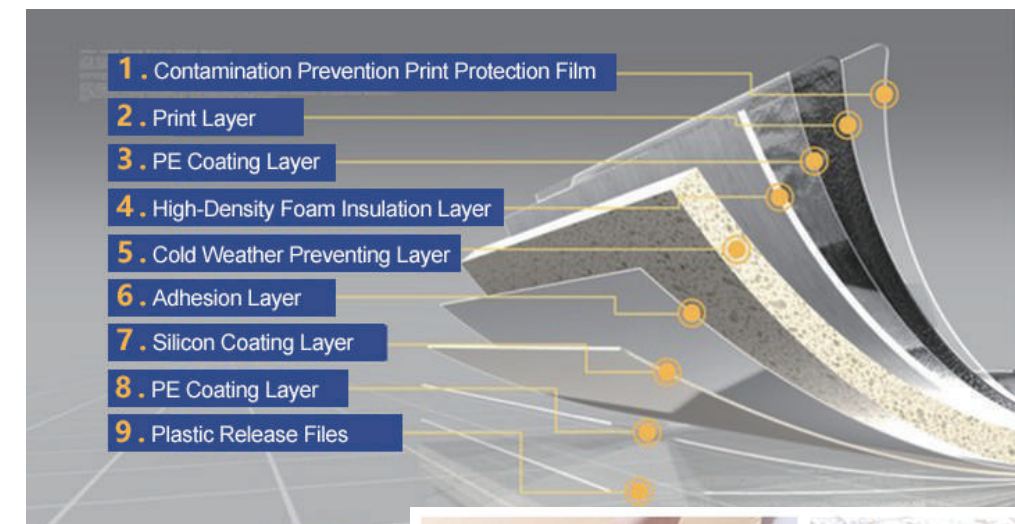
Special Features of 3D Wallpaper

3D wallpaper is a new kind of wall decoration product. The main material of wallpaper, PE is an environmentally friendly and non-toxic material. Compared with traditional wall decoration product, the 3D brick wallpaper is much lighter and easier to install, moreover, you can cut the wallpaper into any shapes if you like DIY. All our 3D wallpaper is soundproof, adiabatic, anti-collision, waterproof and odorless.

Our 3D wallpaper is well-insulated, high density foam insulation slows the migration of heat energy into or out of the conditioned space. This reduces the amount of energy needed to keep the conditioned space cool in the summer and warm in the winter.

The thickness of our foam wallpaper also make it a good choice for making a room sound proof and shock absorbent. Play the TV loudly or host a party without bothering your neighbors. A protective layer on the surface of the wallpaper makes it easy to clean.

Dirt and ink can be wiped off the wall easily.



FB-Brick

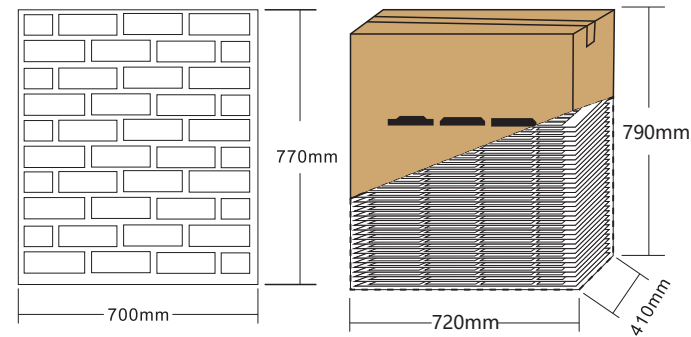
FB06/FB08-77*70cm



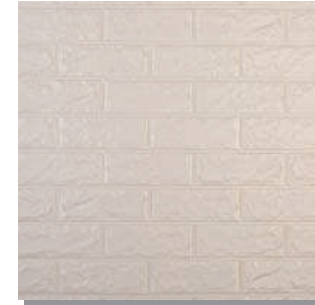
FB06-6mm, FB08-8mm

Size: 77*70cm (tolerance is about 0.5cm)
Thickness: FB06-6mm, FB08-8mm
Material: XPE/Modification of XPE
Glue: Hot Melt Resin Gum(No Formaldehyde)
Texture: Brick
Usage: DIY Self-adhesive
Lifetime: 10 Years
OEM/ODM: Supported

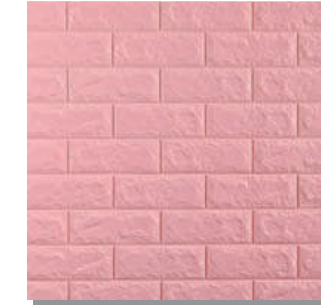
Packaging: Carton
30-45 pcs/box
Carton Box: 72*79*41cm
Weight: 10-11kg



Color Options



FB0601/FB0801-White



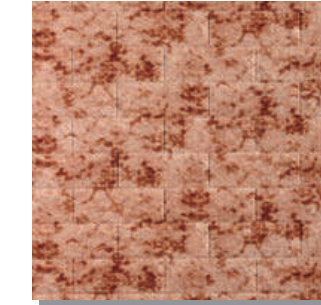
FB0602/FB0802-Pink



FB0604/FB0804-Silver Black



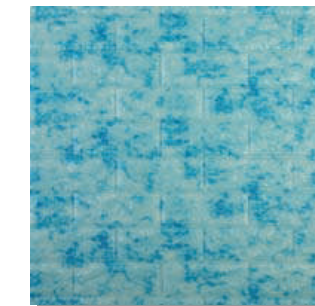
FB0607/FB0807-Green



FB0609/FB0809-Red Stone



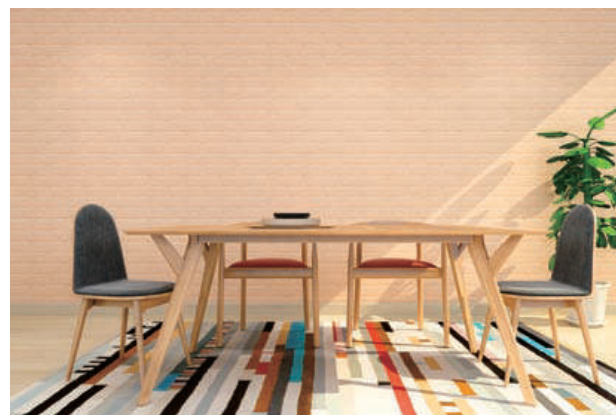
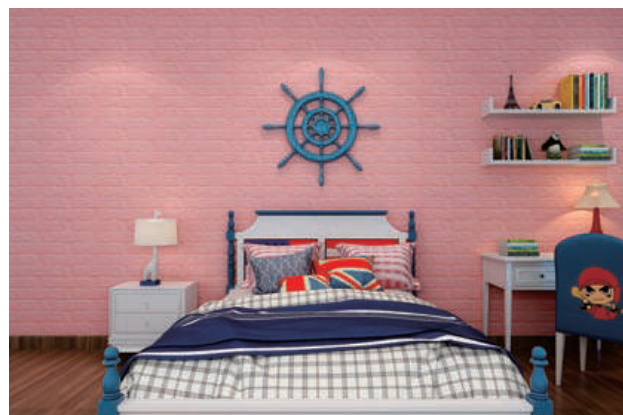
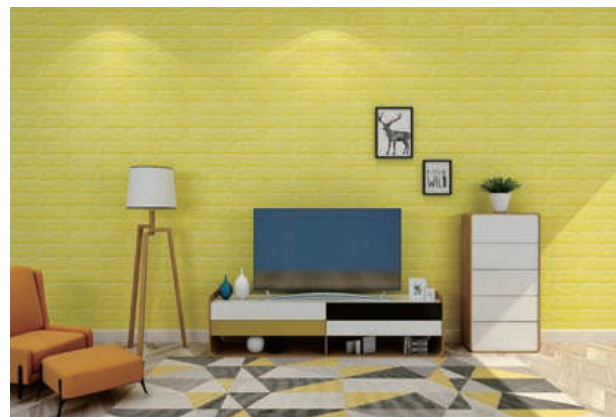
FB0610/FB0810-Green Stone



FB0611/FB0811-Blue Stone



FB0612/FB0812-Grey Stone



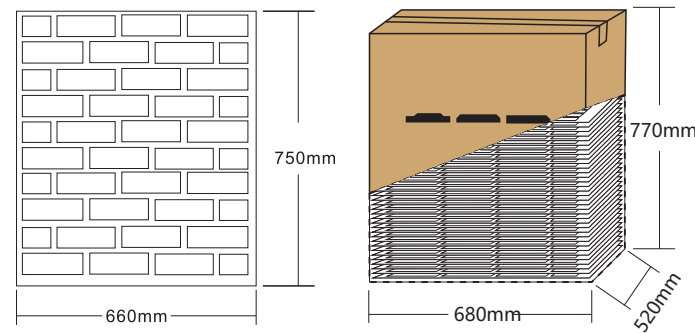
FB-Brick

FB10-75*66cm



Specification:
 Size: 75*66cm (tolerance is about 0.2cm)
 Thickness: 10mm
 Material: XPE/Modification of XPE
 Glue: PE Coating Layer+Hot Melt Resin Gum(No Formaldehyde)
 Texture: Brick
 Usage: DIY Self-adhesive
 Lifetime: 10 years
 OEM/ODM: Supported

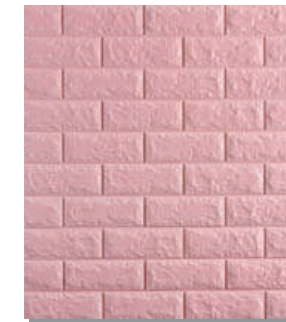
Packaging: Carton
 30 pcs/box
 Carton Box: 68*77*52cm
 Weight: 12kg



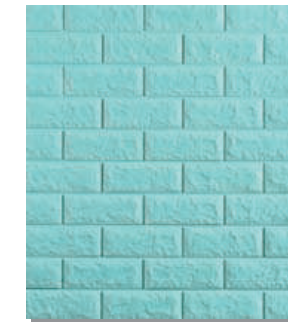
Color Options



FB1001-Ivory White



FB1002-Rouge Pink



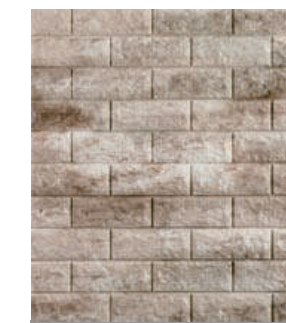
FB1003-Clear Blue



FB1004-Cloudy Pink



FB1005-Mint Blue



FB1008-Rock Brown



FB1009-Camel Brown



FB1011-Rainbow Mint



FB1012-Apple Mint



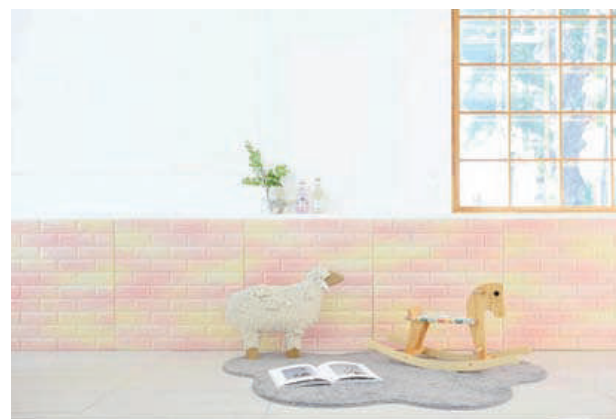
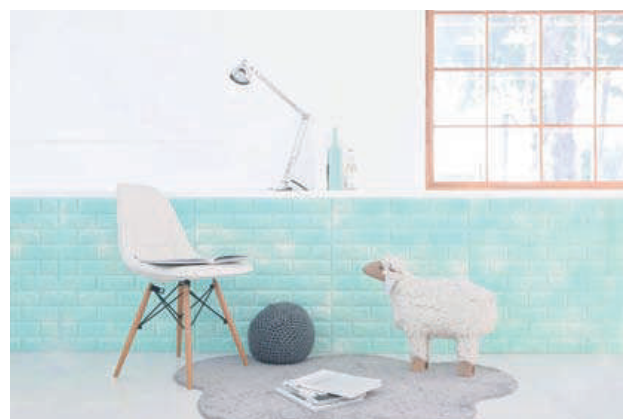
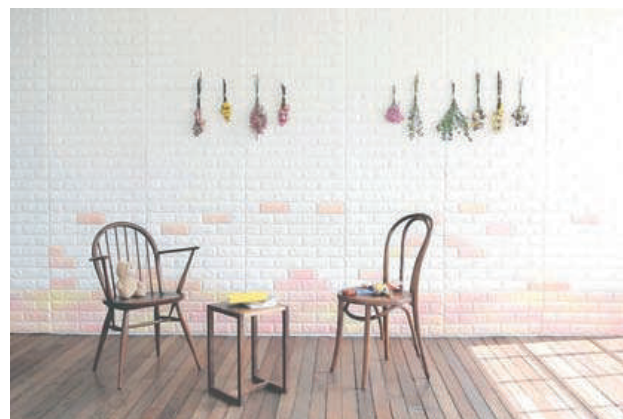
FB1016-Silver Black



FB1017-Cloudy Black Stone



FB1018-Rust Stone



FH-Wood Grain

71*66cm

Specification:

Size: 71*66cm (tolerance is about 0.3cm)

Thickness: 10mm

Material: XPE/Modification of XPE

Glue: Hot Melt Resin Gum(No Formaldehyde)

Texture: Wood Grain

Usage: DIY Self-adhesive

Lifetime: 10 years

OEM/ODM: Supported



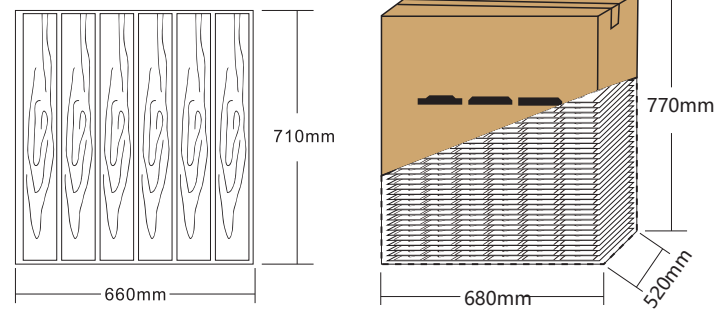
Thickness: 10mm

Packaging: Carton

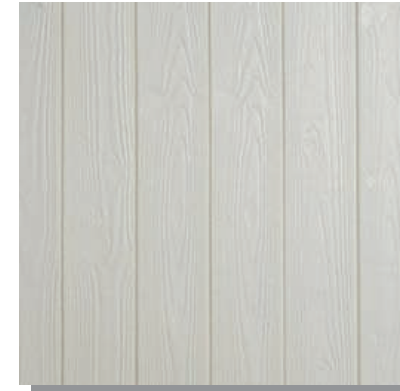
26 pcs/box

Carton Box: 68*77*52cm

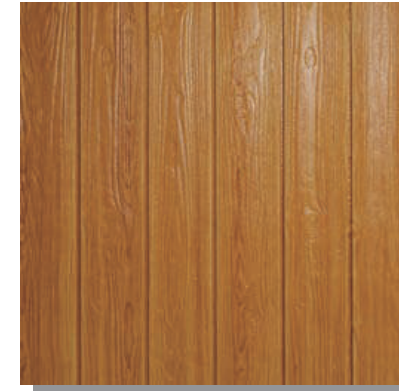
Weight: 12kg



Color Options



FH1001-White



FH1002-Bright Yellow



FT-Ceramic Tile

72*63cm



Thickness: 10mm

Specification:

Size: 72*63cm (tolerance is about 0.2cm)

Thickness: 10mm

Material: XPE/Modification of XPE

Glue: PE Coating Layer+Hot Melt Resin Gum(No Formaldehyde)

Texture: Ceramic Tile

Usage: DIY Self-adhesive

Lifetime: 10 years

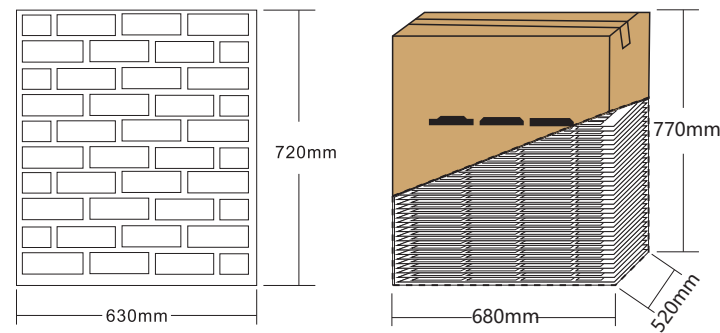
OEM/ODM: Supported

Packaging: Carton

30 pcs/box

Carton Box: 68*77*52cm

Weight: 12kg



Color Options



FT1001-Ivory White



FT1007-Flaxen Grey



FT1008-Flaxen Yellow



FT1009-Flaxen Rose



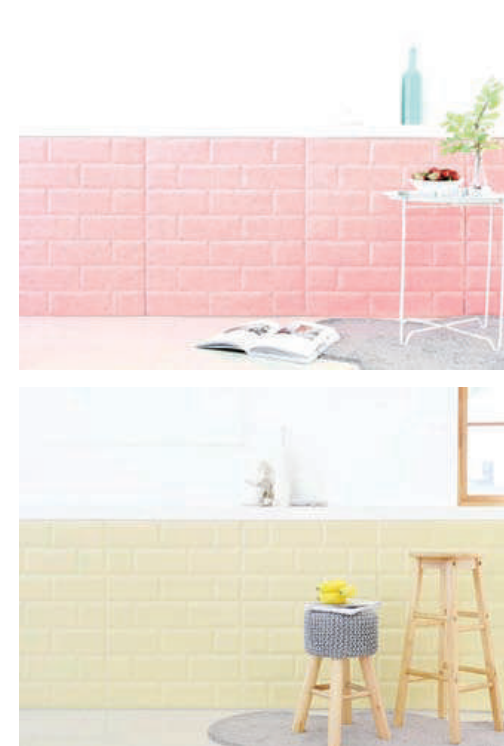
FT1010-Flaxen Blue



FT1011-Flaxen Green



FT1012-Flaxen Khaki



HC-Cultured Stone

60*60cm



Thickness: 10mm

Specification:

Size: 60*60cm (tolerance is about 0.1cm)

Thickness: 10mm

Material: XPE/Modification of XPE

Glue: PE Coating Layer+Hot Melt Resin Gum(No Formaldehyde)

Texture: Cultured Stone

Usage: DIY Self-adhesive

Lifetime: 10 years

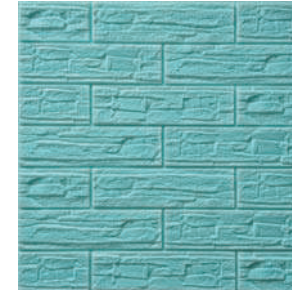
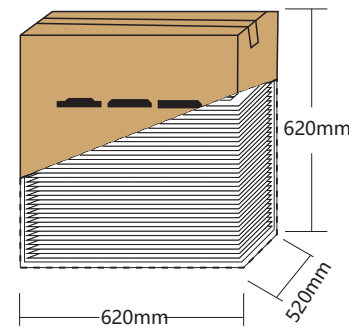
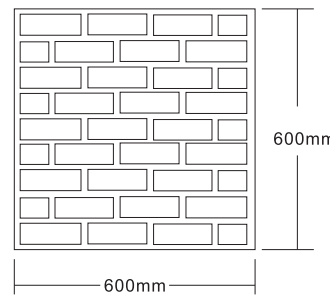
OEM/ODM: Supported

Packaging: Carton

30 pcs/box

Carton Box: 62*62*52cm

Weight: 9kg



HC1007-Clear Blue



HC1008-Cloudy Pink



HC1009-Mint Blue



HC1010-Rock Brown



HC1011-Camel Brown



HC1012-Rainbow Mint



HC1013-Apple Mint



HC1014-Cloudy Black Stone

Color Options



HC1001-White



HC1002-Rouge Pink



HC1004-Silver Black



HC1006-Green



HC1015-Rust Stone



FS-Square Brick

72*72cm



Thickness: 10mm

Specification:

Size: 72*72cm (tolerance is about 0.2cm)

Thickness: 10mm

Material: XPE/Modification of XPE

Glue: PE Coating Layer+Hot Melt Resin Gum(No Formaldehyde)

Texture: Square Brick

Usage: DIY Self-adhesive

Lifetime: 10 years

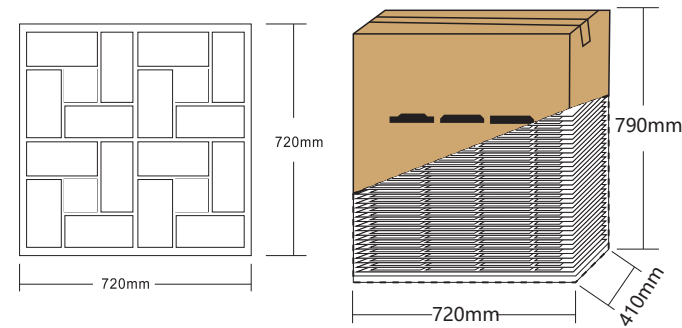
OEM/ODM: Supported

Packaging: Carton

10 pcs/box

Carton Box: 72*79*41cm

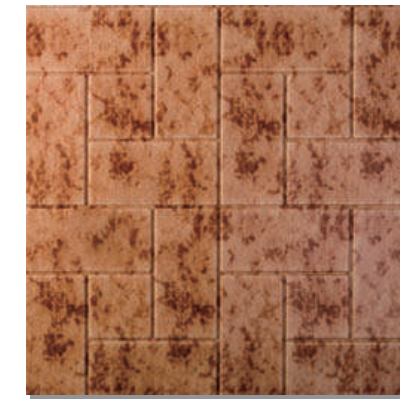
Weight: 12kg



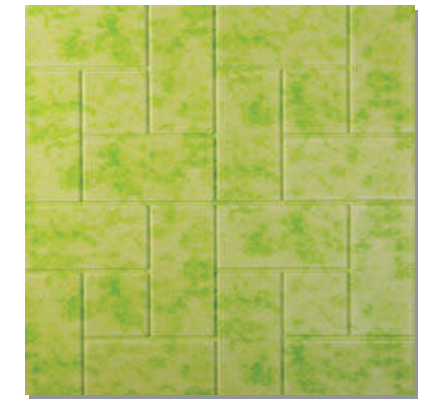
Color Options



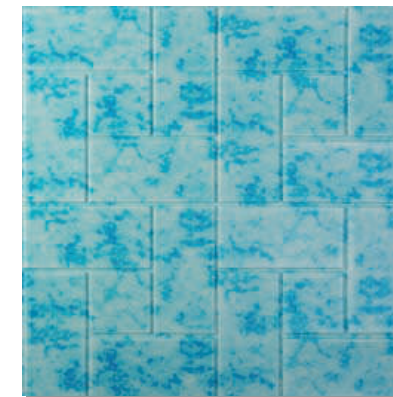
FS1001-White



FS1002-Red Stone



FS1003-Green Stone



FS1004-Blue Stone



FS1005-Grey Stone



HB-Brick

60*60cm



Thickness: 10mm

Specification:

Size: 60*60cm (tolerance is about 0.1cm)

Thickness: 10mm

Material: XPE/Modification of XPE

Glue: PE Coating Layer+Hot Melt Resin Gum(No Formaldehyde)

Texture: Brick

Usage: DIY Self-adhesive

Lifetime: 10 years

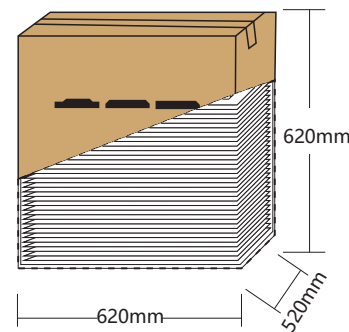
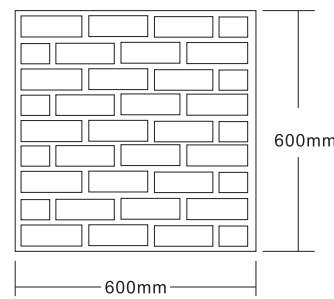
OEM/ODM: Supported

Packaging: Carton

30 pcs/box

Carton Box: 62*62*52cm

Weight: 9kg



Color Options



HB1001-White



HB1002-Rouge Pink



HB1004-Silver Black



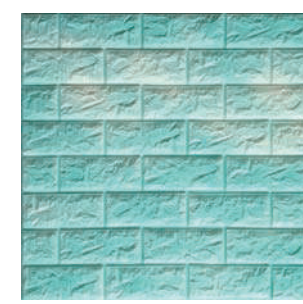
HB1006-Green



HB1007-Clear Blue



HB1008-Cloudy Pink



HB1009-Mint Blue



HB1010-Rock Brown



HB1011-Camel Brown



HB1012-Rainbow Mint



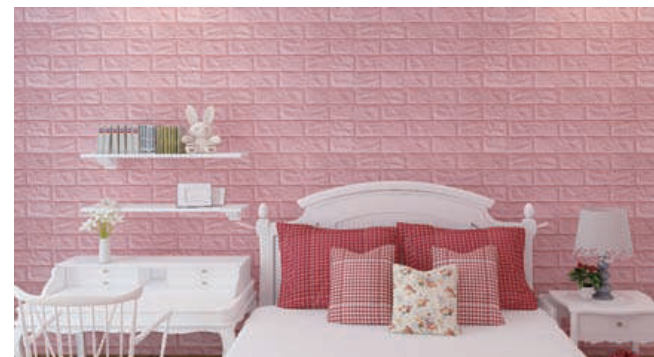
HB1013-Apple Mint



HB1014-Cloudy Black Stone



HB1015-Rust Stone



R-Coil

1*20m

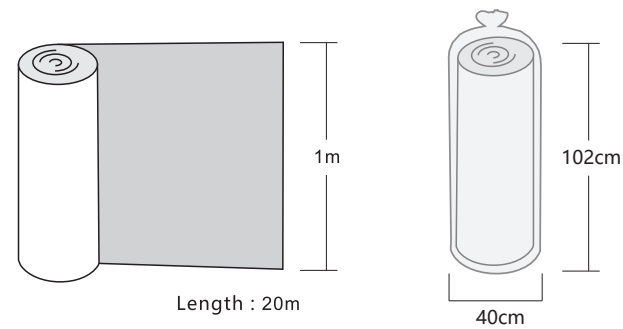
Thickness: 5mm

Specification:

Size: 1*20m
 Thickness: 5mm
 Material: XPE/Modification of XPE
 Glue: PE Coating Layer+ Hot Melt Resin Gum(No Formaldehyde)
 Texture: Coil
 Usage: DIY Self-adhesive
 Lifetime: 10 years
 OEM/ODM: Supported

Packaging :

PE bag: 40*40*102cm
 Weight: 8kg



Color Options



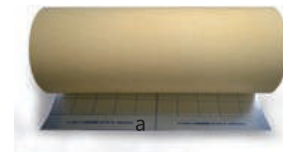
R0501- Flaxen Grey



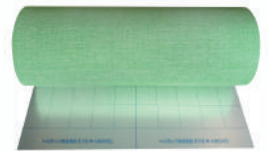
R0502- Flaxen Green



R0503-Flaxen Pink



R0504-Flaxen Yellow



R0505-Flaxen Light Green



R0506-Flaxen Dark Green

Installation Guide

Tools You Need:

A dry towel, Knife, Scissors, Pencil, Tape

Installation Steps:

1. Use a tape to measure the wall size and calculate the area (L* W).
2. Use a dry towel to clean dust and other dirty on the wall.
3. Cut the required size wallpaper with a knife or scissors.
4. Peel off the paper backing.
5. Stick it on the wall, press till the whole area is attached.

Tips and Cautions:

1. Before installation, be sure to measure the wall size before cutting.
2. When cutting, please cut along the line, the overall effect is better.
3. When installation, please make sure that the wall surface is free of dust, clean and tidy. The matte or wet wall surface may shorten the wallpaper life.
4. During installation, please plan the overall layout to avoid unnecessary rework waste .
5. After installation, avoid sharp objects.



1 Clean up the wall

2 Measuring the size



3 Cropping based on the situation



4 Peel the back sticker

5 Stick on the wall